



# Continuous Geared Aluminum Hinge

## Weight Bearing

- Heaver weight can be carried, please contact Bommer's sales department for applications other than listed in the chart.

	Hinge Size	Number of Bearings	Heavy Door Weight
Standard Duty ( none ) Hinges	83" & 85"	14	280 lbs.
	95"	16	320 lbs.
	120"	20	400 lbs.
Heavy Duty ( HD ) Hinges	83" & 85"	27	540 lbs.
	95"	31	620 lbs.
	120"	39	780 lbs.

## Full-Mortise Hinge

- The full-mortise hinge is designed mainly for new door application, and is applied so as to conceal both leaves.

## The Full-Mortise Applications

New Construction: New door and frame

Renovations: (all full-mortise hinges will cover existing standard hinge preps)

- New door and frame
- New door with existing frame
- Existing door with new frame

## The Full Mortise Fasteners

All fasteners are #12-24 x 7/16 Type C, FHUC screws (phillips, flat head, undercut screw, 7/16" long, that forms its own 12-24 thread).

- standard duty hinges - 16 required each leaf
- heavy duty hinges 20 required each leaf
- WOOD SCREWS on request only (specify on order)

## Hinge Part Designations

FM95SLI-HD-628

### HINGE TYPES

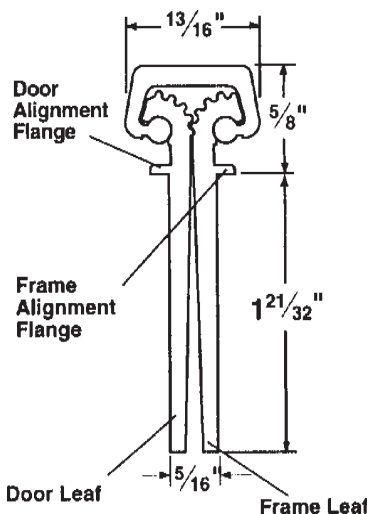
FM full-mortise  
FS full-surface  
HS half-surface

### LENGTHS

83  
85  
95  
120

### "FM" HINGE OPTION!

SLF short leaf flush  
SLI short leaf inset  
( none ) standard

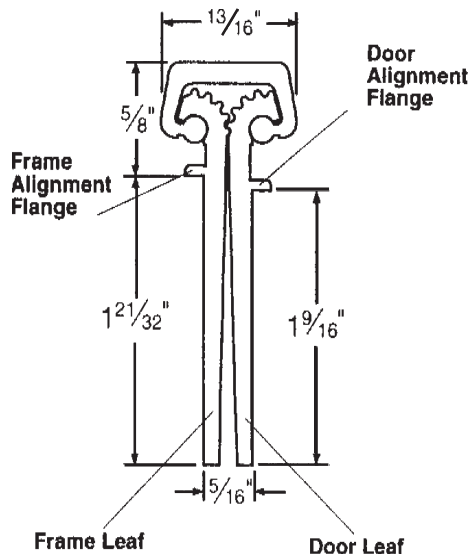


### SHORT LEAF FLUSH

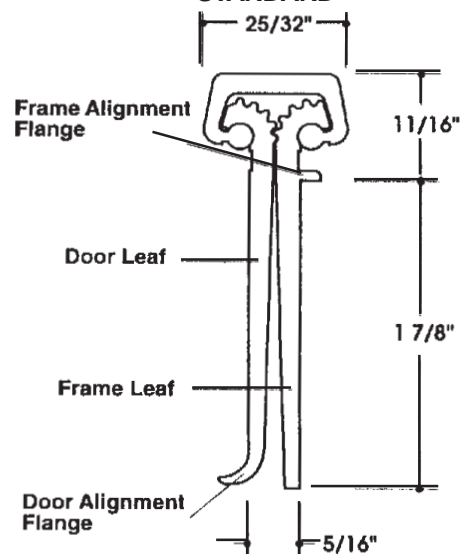
- |                |                 |
|----------------|-----------------|
| FM83SLF-628    | FM95SLF-628     |
| FM83SLF-HD-628 | FM95SLF-HD-628  |
| FM83SLF-393    | FM95SLF-393     |
| FM83SLF-HD-393 | FM95SLF-HD-393  |
| FM85SLF-628    | FM120SLF-628    |
| FM85SLF-HD-628 | FM120SLF-HD-628 |
| FM85SLF-393    | FM120SLF-393    |
| FM85SLF-HD-393 | FM120SLF-HD-393 |

### SHORT LEAF INSET

- |                |                 |
|----------------|-----------------|
| FM83SLI-628    | FM95SLI-628     |
| FM83SLI-HD-628 | FM95SLI-HD-628  |
| FM83SLI-393    | FM95SLI-393     |
| FM83SLI-HD-393 | FM95SLI-HD-393  |
| FM85SLI-628    | FM120SLI-628    |
| FM85SLI-HD-628 | FM120SLI-HD-628 |
| FM85SLI-393    | FM120SLI-393    |
| FM85SLI-HD-393 | FM120SLI-HD-393 |



### STANDARD



- |            |             |
|------------|-------------|
| FM83-628   | FM95-628    |
| FM83HD-628 | FM95HD-628  |
| FM83-393   | FM95-393    |
| FM83HD-393 | FM95HD-393  |
| FM85-628   | FM120-628   |
| FM85HD-628 | FM120HD-628 |
| FM85-393   | FM120-393   |
| FM85HD-393 | FM120HD-393 |

GH-2

**"Over 125 Years of Quality"**