



Continuous Geared Aluminum Hinge

Full Surface Hinge

- The full surface hinge is designed mainly for retrofitting, and is applied to the exposed surface of the door and frame.

The Full Surface Applications

New Construction: New door and frame
 Renovations / Retrofit:

- New door and frame
- New door with existing frame
- Existing door with new frame
- Existing door with existing frame

The Full Surface Fasteners

Frame Portion

All fasteners are #12-24 x 7/16 Type C, FHUC screws (Phillips, flat head, undercut screw, 7/16" long, that forms its own 12-24 thread).

- standard duty hinges - 10 required
- heavy duty hinges - 12 required
- WOOD SCREWS on request only (specify on order)

Door Portion

Thru-Bolts are 1/4 - 20 thread x 1 5/8" long, with a low profile head.

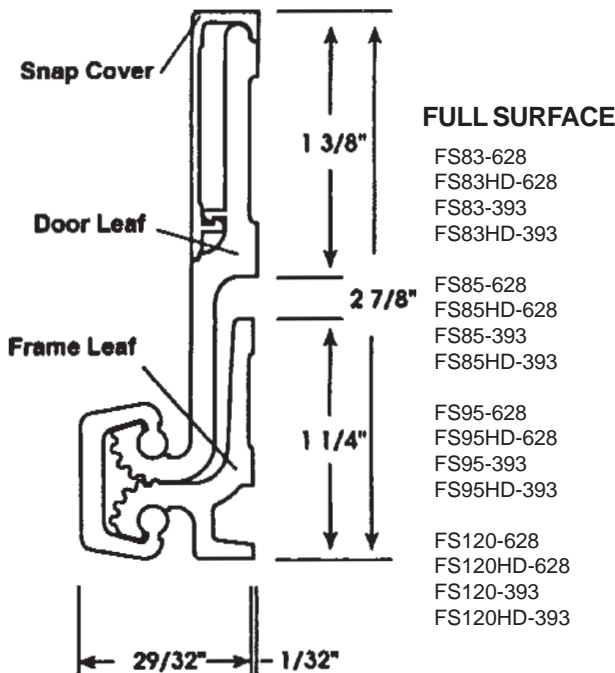
- standard duty hinges - 6 required
- heavy duty hinges - 8 required

Shoulder Bolts, used in conjunction with the Thru-Bolts, are pancake head hex socket, 1/4 - 20 thread, 1" long. The hex socket allows for a certain degree of security.

- standard duty hinges - 6 required
- heavy duty hinges - 8 required

Pan Head Self Drilling Screws are # 12 x 3/4" long, and tap their own threads into the metal. The installation instructions fully describe their use for initially attaching the hinge to the door for clearance and alignment adjustments.

- standard duty hinges - 4 required
- heavy duty hinges - 4 required



Half-Surface Hinge

- The half surface hinge is designed mainly for retrofitting, the door leaf is applied to the exposed surface of the door, and the frame leaf is applied to the concealed surface of the frame rabbet.

The Half-Surface Applications

New Construction: New door and frame
 Renovations / Retrofit: (all half surface hinges will cover existing standard hinge preps.)

- New door and frame
- New door with existing frame
- Existing door with new frame
- Existing door with existing frame

The Half-Surface Fasteners

Frame Portion

All fasteners are #12-24 x 7/16 Type C, FHUC screws (Phillips, flat head, undercut screw, 7/16" long, that forms its own 12-24 thread).

- standard duty hinges - 16 required
- heavy duty hinges - 20 required
- WOOD SCREWS on request only (specify on order)

Door Portion

Thru-Bolts are 1/4 - 20 thread x 1 5/8" long, with a very shallow head.

- standard duty hinges - 6 required
- heavy duty hinges - 8 required

Shoulder Bolts, used in conjunction with the Thru-Bolts, are pancake head hex socket, 1/4 - 20 thread, 1" long. The hex socket allows for a certain degree of security.

- standard duty hinges - 6 required
- heavy duty hinges - 8 required

Pan Head Self Drilling Screws are #12 x 3/4" long, and tap their own threads into the metal. The installation instructions fully describe their use for initially attaching the hinge to the door for clearance and alignment adjustments.

- standard duty hinges - 4 required
- heavy duty hinges - 4 required

