

FIGURE " 1 "

IF PIVOT FAILS TO CLOSE COOR IN ONE OR BOTH DIRECTIONS,
UNIT CAN BE REACTIVATED AS FOLLOWS :

- (1) REMOVE PIN FROM TENSION COLLAR.
- (2) REMOVE THE PIVOT FROM THE DOOR AND BRACKET.
- (3) VIEWING THE PIVOT FROM THE THREADED SPINDLE END, (SEE FIGURE "1") AND WITH THE MOUNTING BRACKET TOWARD YOU, TURN THE TENSION COLLAR TO THE LEFT (COUNTERCLOCKWISE) UNTIL IT COMES TO A STOP. HOLD THE TENSION COLLAR IN THIS POSITION WHILE TURNING THE THREADED SPINDLE TO THE RIGHT (CLOCKWISE) UNTIL IT COMES TO A STOP.

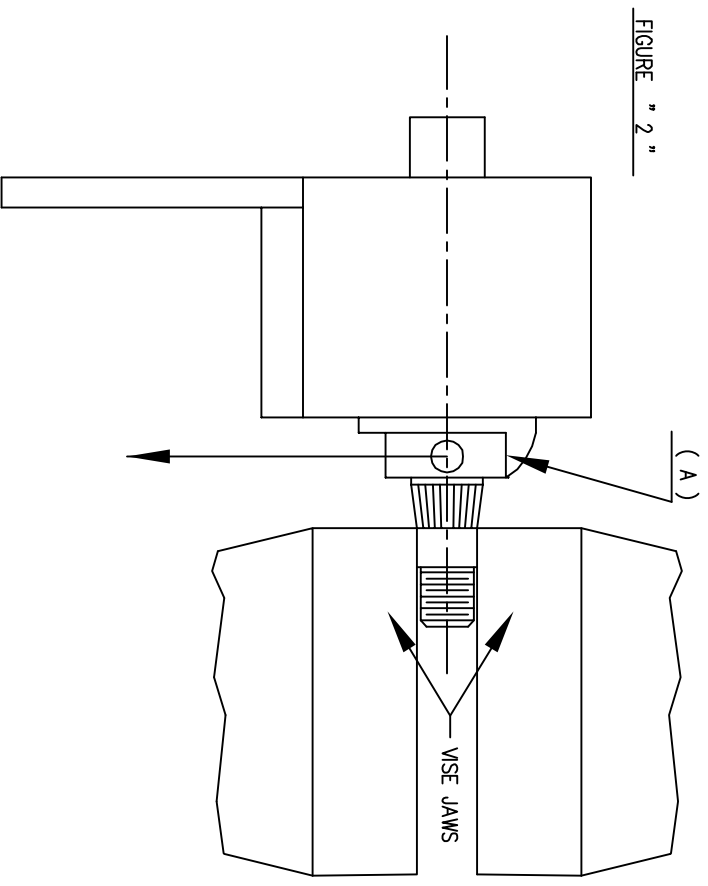


FIGURE " 2 "

(4) PLACE THE THREADED SPINDLE IN A VISE, GRIPPING IT ON THE 1/2" DIA. (SEE FIGURE "2") SO THE SPINDLE IS HORIZONTAL AND MOUNTING BRACKET IS STILL TOWARD YOU.

(5) PLACE THE TENISON ROD IN TENISON COLLAR HOLE NEAR THE COVER PLATE STOP (A) AND TURN THE COLLAR TOWARD YOU (COUNTERCLOCKWISE) UNTIL SPRING TENSION IS FELT. INSERT THE TENSION PIN IN THE HOLE IN THE TENSION COLLAR CLOSE TO THE STOP (A) ON THE COVER PLATE. PIN MUST BE INSERTED FULLY INTO THE HOLE WITH THE SHOULDER OF THE PIN AGAINST THE TENSION COLLAR ALLOW THE SPRING TENSION TO ROTATE THE COLLAR AND TENSION PIN TOWARD THE STOP (A) UNTIL THE PIN CONTACTS THE STOP.

(6) INSTALL ON THE DOOR AND BRACKET FOLLOWING BOMMERS INSTRUCTIONS FOR APPLYING SPRING PIVOTS. (COPY ATTACHED)