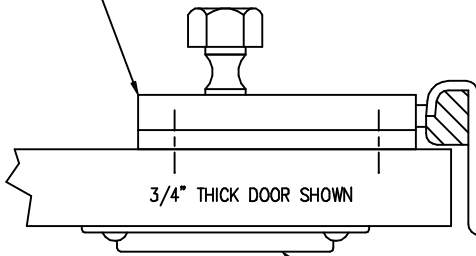


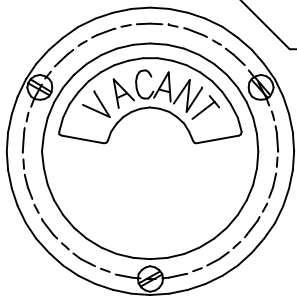
HANDICAPPED KNOB

5219 LOCK HOUSING



3/4" THICK DOOR SHOWN

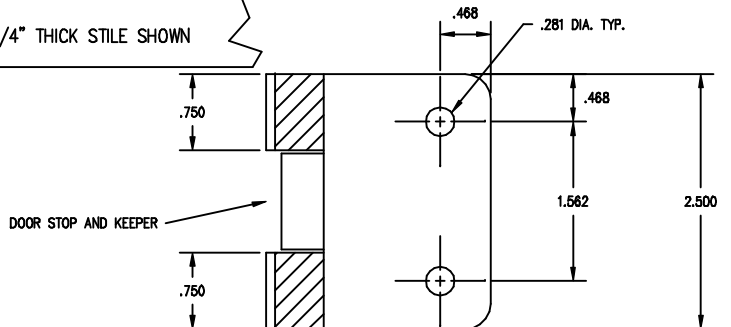
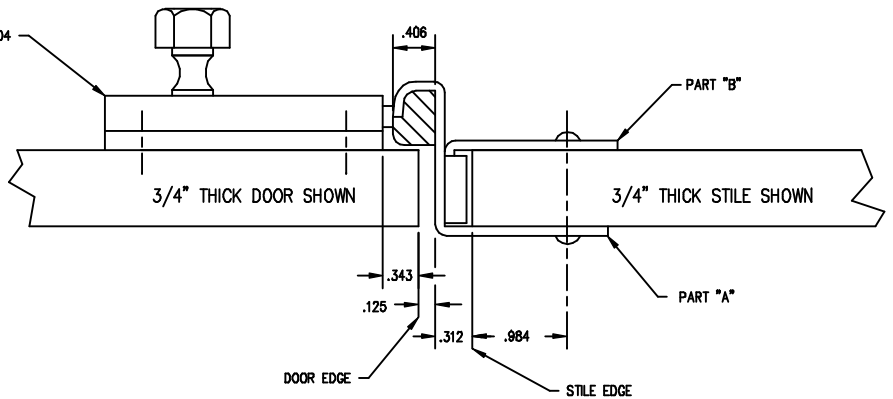
3/4" THICK STILE SHOWN



5015 INDICATOR

INDICATOR

5209 OR 5204



1 1/4"	1057-3	1050-1
1 1/8"	1057-2	1050-1
1"	1057-1	1050-1
7/8"	1057-5	1050-1
3/4"	1057-4	1050-3
DOOR & STILE THICKNESS	PART A	PART B

-----NOTE-----
 THIS IS A CAD DRAWING...
 DO NOT REVISE MANUALLY.
 ENGINEERING DRAWING NO. 1057-T

BOMMER IND. INC. LANDRUM, S.C.

TYPE : LAVATORY DOOR STOP AND KEEPER			
PART : FOR OUTSWINGING DOORS			
PART NO.: 1057			
Drawn by : JACKSON	DATE	SCALE	DRAWING NUMBER
Approved by :	23 OCT 98	N/A	1057-TEMP
Plot Date: 23 OCT 98			