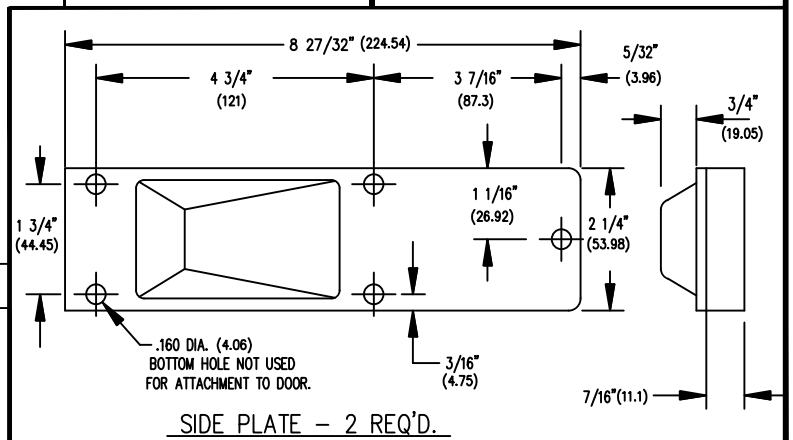
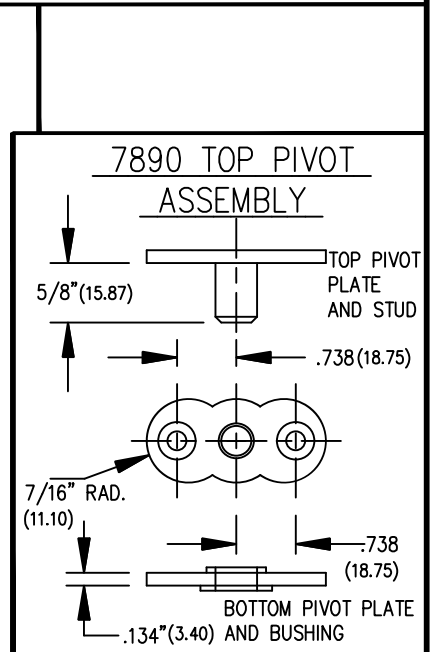
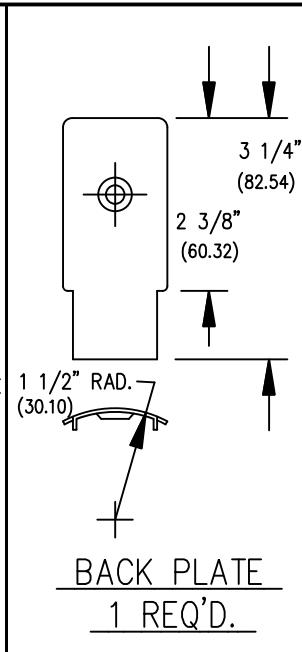
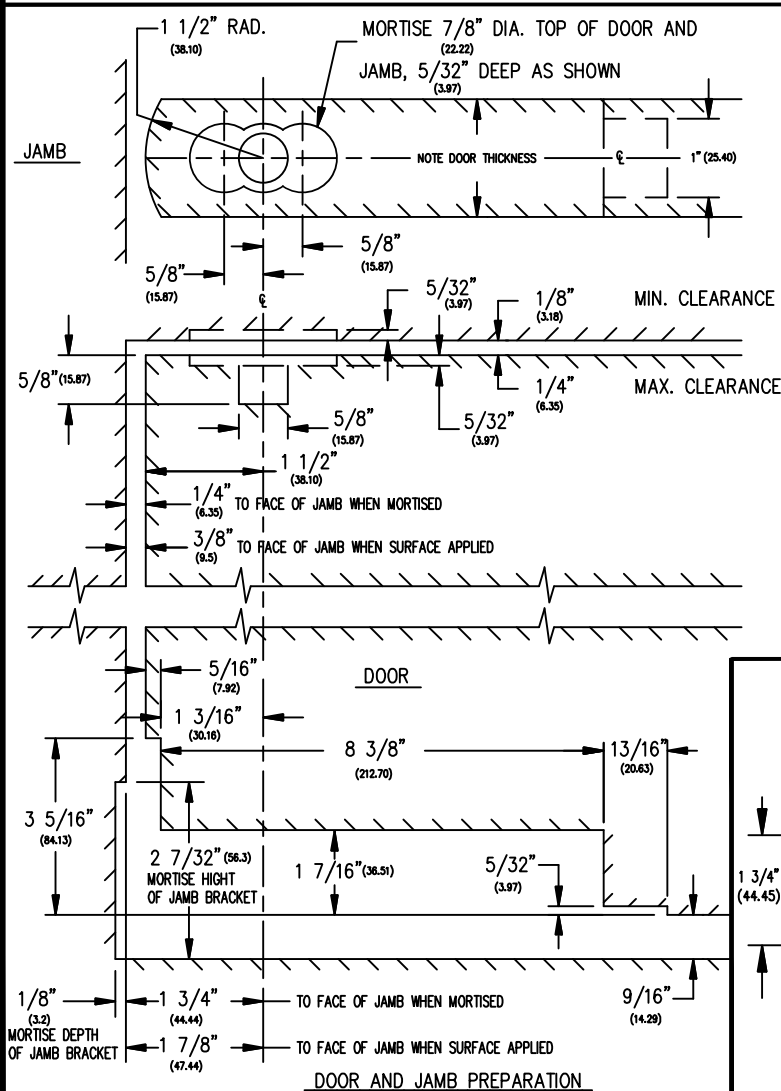
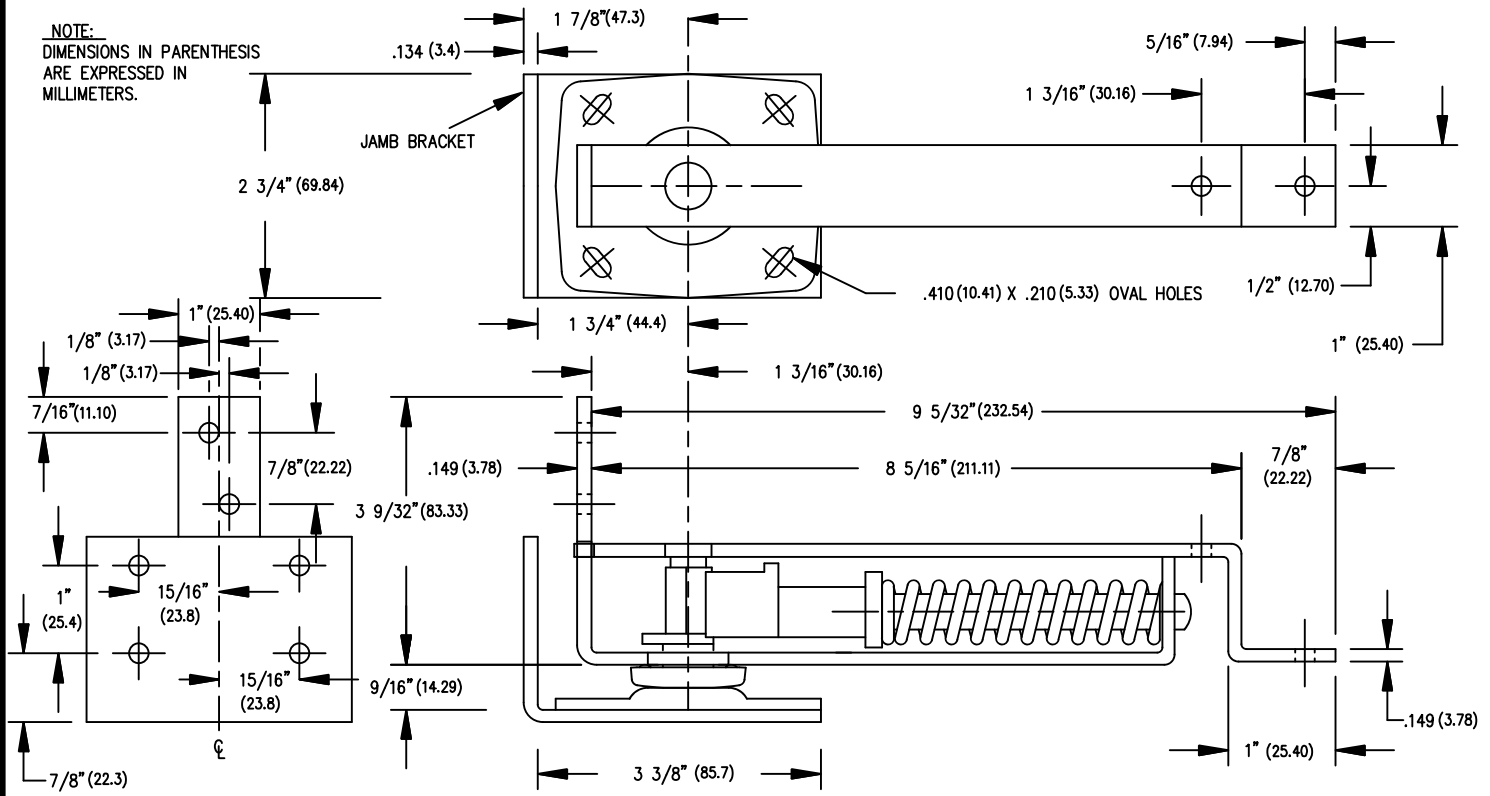


NOTE:
DIMENSIONS IN PARENTHESIS
ARE EXPRESSED IN
MILLIMETERS.



ITEM	SCREWS
FRAME	(4) #10 X 1 1/4" PAN HEAD WOOD SCREW
JAMB BRACKET	(4) #10 X 1" FLAT HEAD WOOD SCREW (4) #10-24 X 1/4" PAN HEAD MACHINE SCREW
SIDE PLATE	(6) #6 X 3/4" ROUND HEAD WOOD SCREW
BACK PLATE	(1) #10-24 X 1/2" FLAT HEAD MACHINE SCREW
TOP PIVOT	(4) #10 X 1" FLAT HEAD WOOD SCREW

NOTE
DOOR THICKNESS
1 3/8" TO 1 3/4"

BOMMER IND. INC. LANDRUM, S.C.
TYPE : HORIZONTAL SPRING PIVOT
DOUBLE ACTING
PART NO.: 7802
REVISED DATE: 09 OCT 2014
Drawn by : JACKSON DATE 2 JUN 99 SCALE N.T.S. DRAWING NUMBER 7802-TEMP REV. B