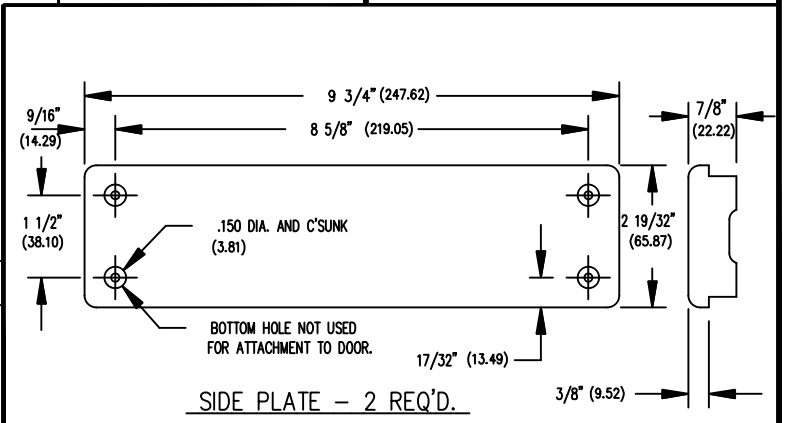
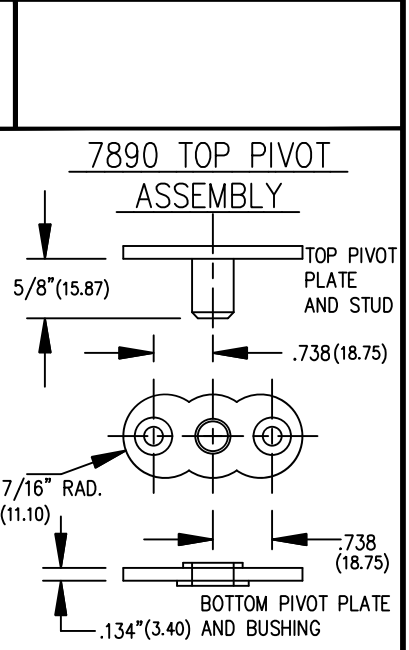
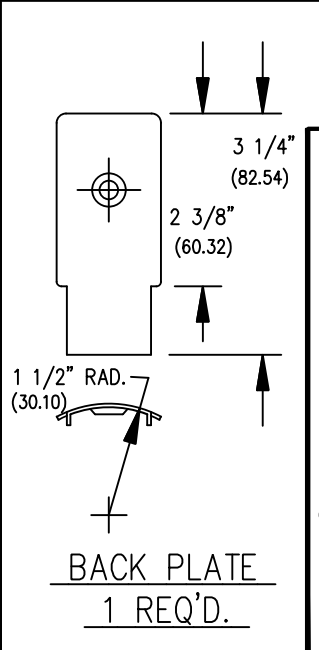
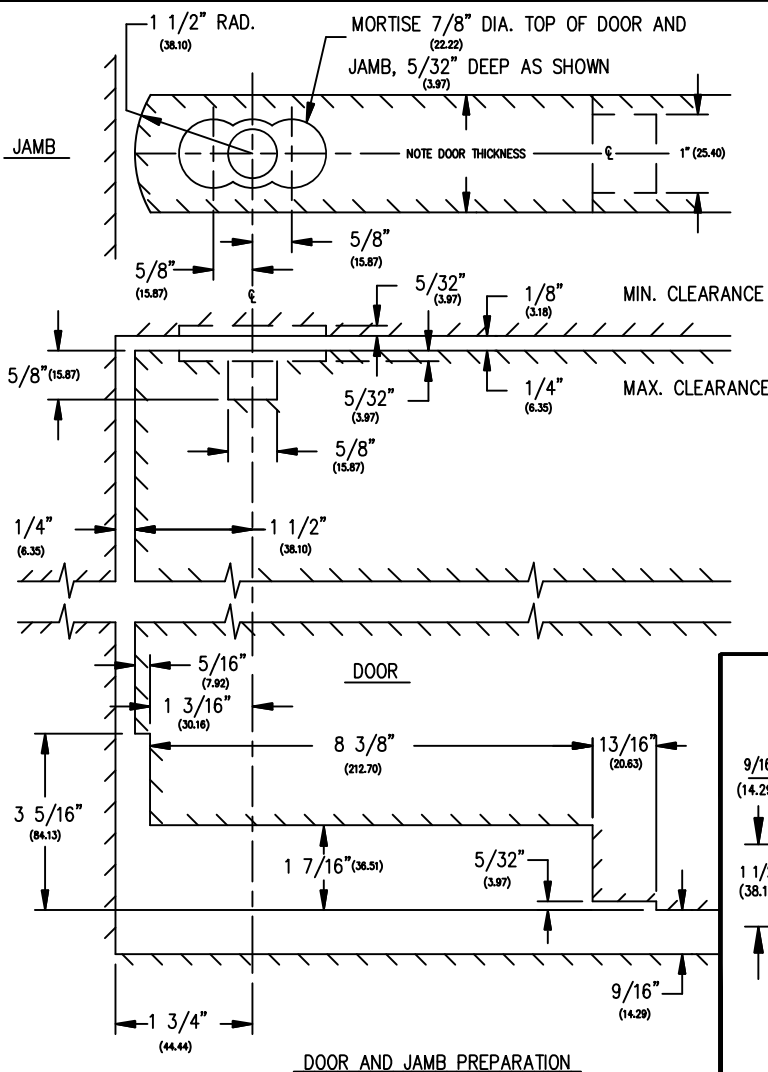
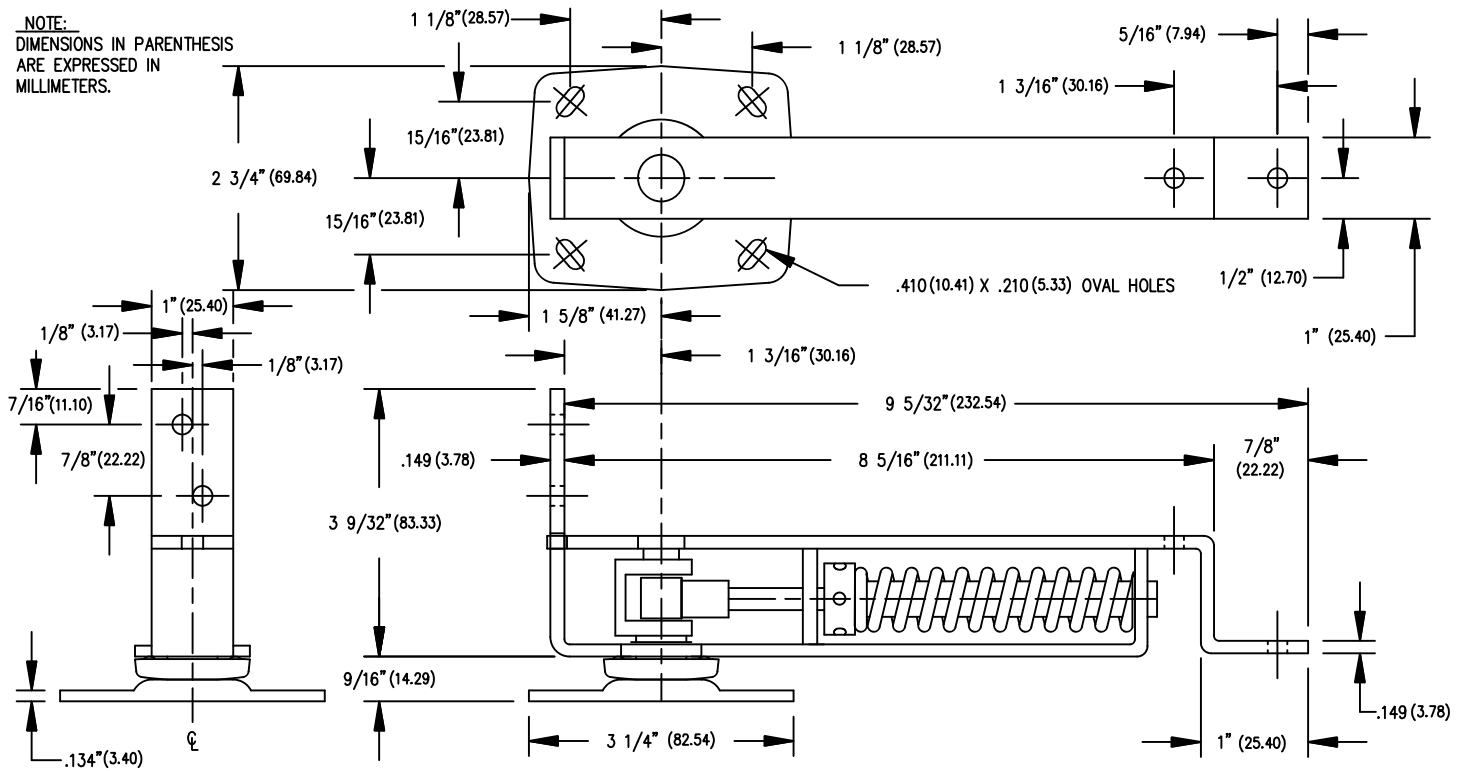


NOTE:
DIMENSIONS IN PARENTHESIS
ARE EXPRESSED IN
MILLIMETERS.



ITEM	SCREWS
FRAME	(4) #10 X 1 1/4" PAN HEAD WOOD SCREW
FLOOR PLATE	(4) #10 X 1 1/4" PAN HEAD WOOD SCREW
SIDE PLATE	(4) #6 X 3/4" FLAT HEAD WOOD SCREW
BACK PLATE	(1) #10-24 X 1/2" FLAT HEAD MACHINE SCREW
TOP PIVOT	(4) #10 X 1" FLAT HEAD WOOD SCREW

NOTE
DOOR THICKNESS
1 3/8" TO 1 3/4"

BOMMER IND. INC. LANDRUM, S.C.
TYPE : HORIZONTAL SPRING PIVOT
DOUBLE ACTING
PART NO.: 7811 AND 7821
REVISED DATE: 09 OCT 2014
Drawn by : JACKSON DATE SCALE DRAWING NUMBER REV.
Approved by : 15 MAY 98 N.T.S. 7811TEMP C