

Bommer Industries Inc.  
19810 Asheville Highway  
P.O. Box 187  
Landrum SC 29356

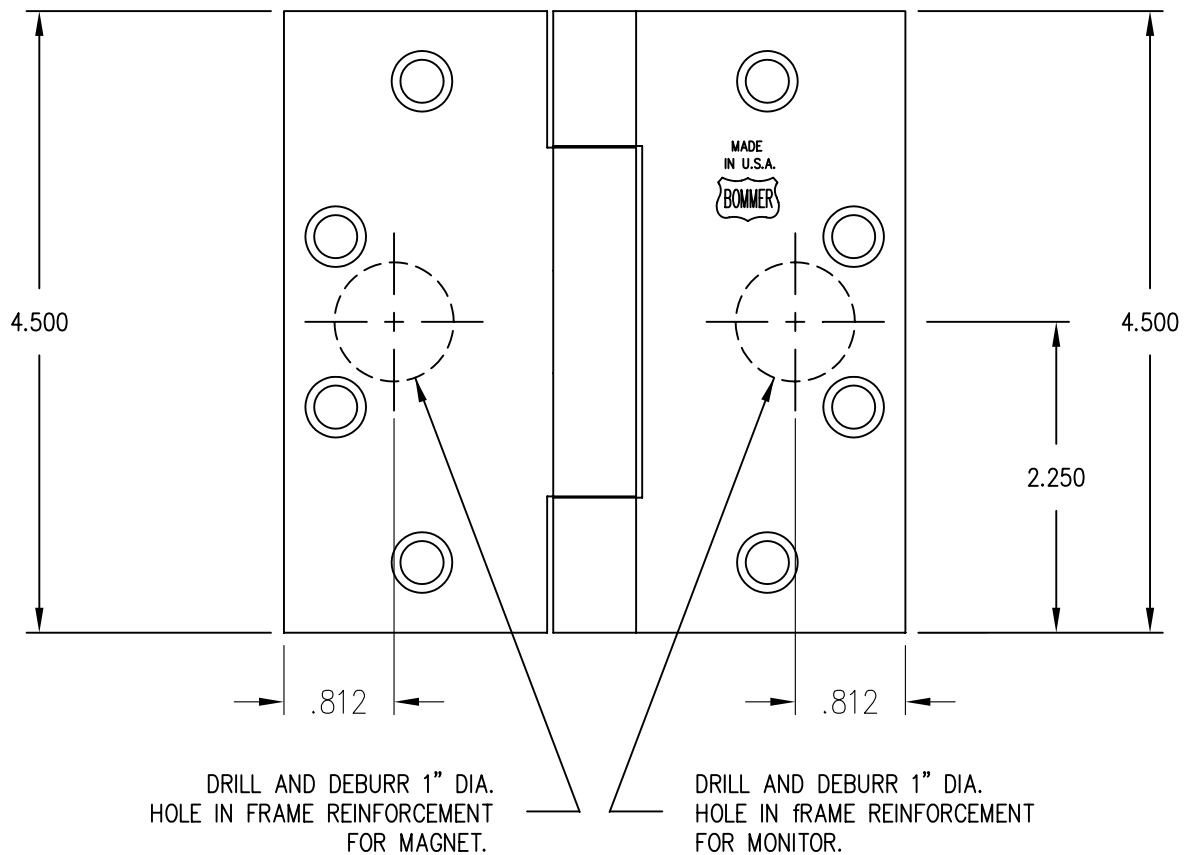
## DOOR AND FRAME PREPARATION TEMPLATE

LB8000 SERIES CONCEALED ELECTRIC MONITOR HINGES

4.5 INCH FULL MORTISE, 3-KNUCKLE, LUBE BEARING, STANDARD AND HEAVY WEIGHT.

DRAWING NOT TO SCALE

HINGES ARE NON-LOAD  
BEARING AND MUST BE  
MOUNTED IN THE CENTER  
POSITION ONLY.



### NOTE:

FOR MOUNTING HOLE DIMENSIONS  
REFER TO TEMPLATE NOS.  
8000-450-T FOR STANDARD WEIGHT  
LB8004-450-T FOR HEAVY WEIGHT

TEMPLATE NO. LB8060-450EM-T