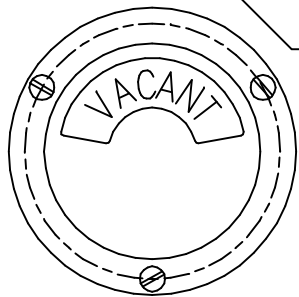
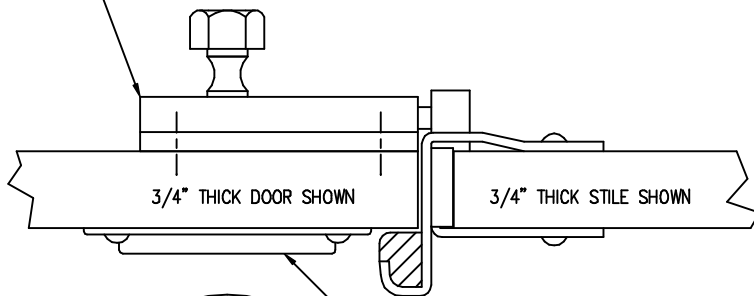
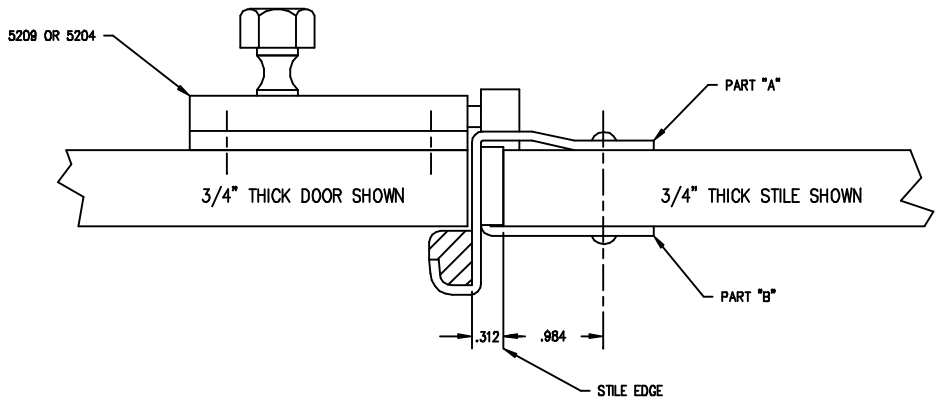


HANDICAPPED KNOB

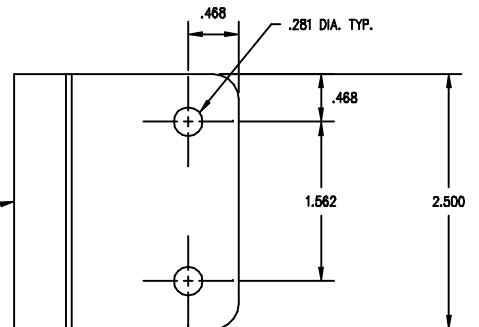
5219 LOCK HOUSING



INDICATOR



DOOR STOP AND KEEPER



| | | |
|------------------------|----------|--------|
| 1 1/4" | 1055-1-1 | 1050-3 |
| 1 1/8" | 1055-1-5 | 1050-3 |
| 1" | 1055-1-4 | 1050-3 |
| 7/8" | 1055-1-2 | 1050-3 |
| 3/4" | 1055-1-3 | 1050-3 |
| DOOR & STILE THICKNESS | PART A | PART B |

-----NOTE-----
 THIS IS A CAD DRAWING...
 DO NOT REVISE MANUALLY.
 ENGINEERING DRAWING NO. 1055-T

BOMMER IND. INC. LANDRUM, S.C.

| | | | |
|--------------------------------------|-----------|-------|----------------|
| TYPE : LAVATORY DOOR STOP AND KEEPER | | | |
| PART : FOR INSWINGING DOORS | | | |
| PART NO.: 1055 | | | |
| Drawn by : JACKSON | DATE | SCALE | DRAWING NUMBER |
| Approved by : | 23 OCT 98 | N/A | 1055-TEMP |
| Plot Date: 23 OCT 98 | | | |