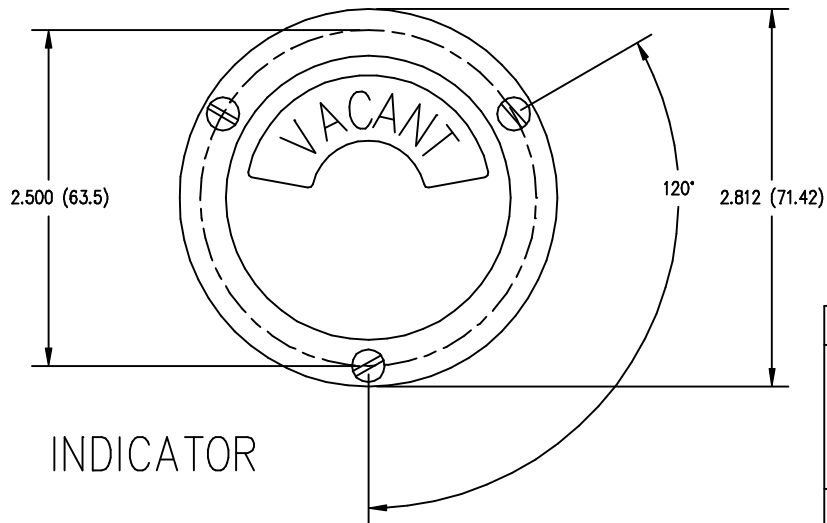
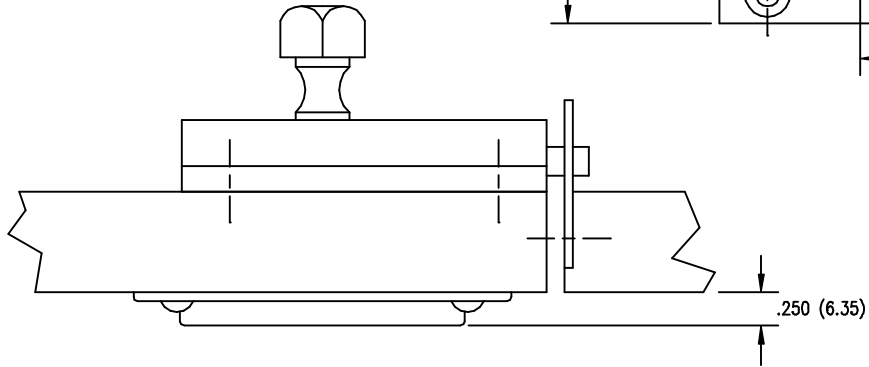
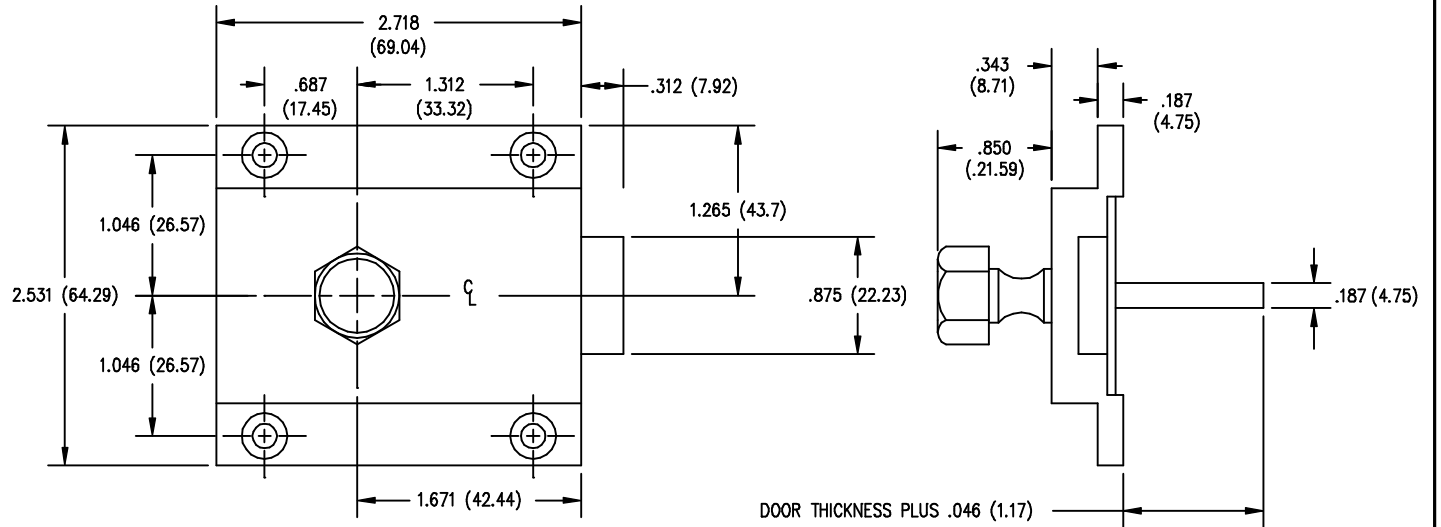
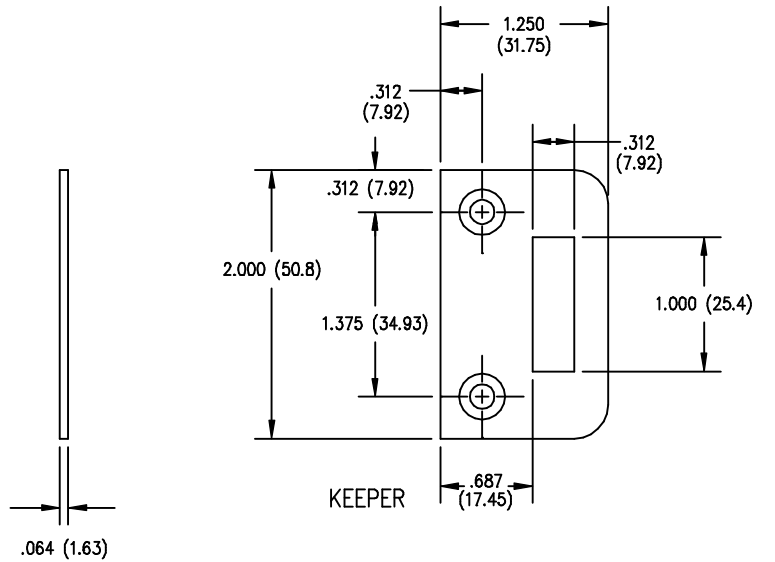


HANDICAPPED KNOB



INDICATOR



-----NOTE-----		BOMMER IND. INC. LANDRUM, S.C.		
THIS IS A CAD DRAWING... DO NOT REVISE MANUALLY.		TYPE : LAVATORY DOOR KEEPER		
(6) No. 8 x 5/8" F.H.W.S.		PART : RIM BOLT AND KEEPER WITH 15015 INDICATOR		
(3) No. 6 x 5/8" R.H.W.S.		PART NO.: 15019		
ENGINEERING DRAWING NO. 15019-T	Drawn by : JACKSON	DATE	SCALE	DRAWING NUMBER
	Approved by :	20 OCT 98	N/A	15019-TEMP
	Plot Date: 20 OCT 98			