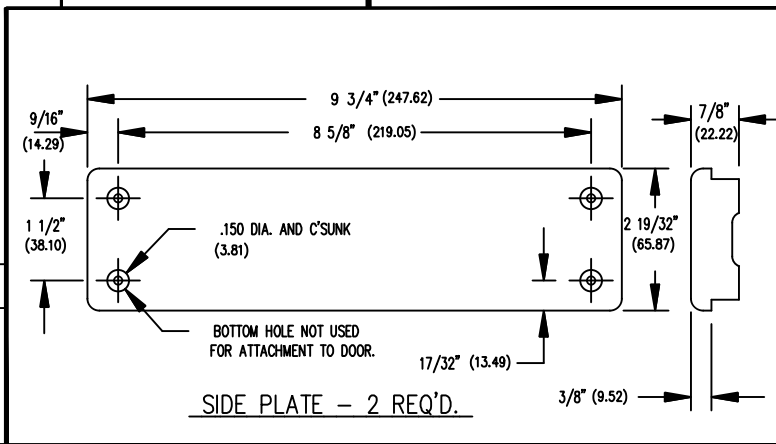
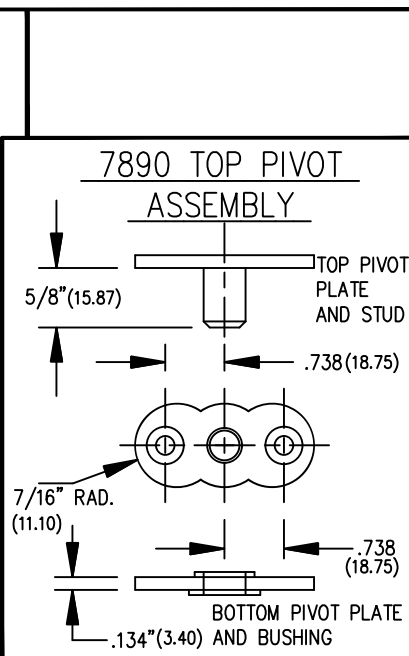
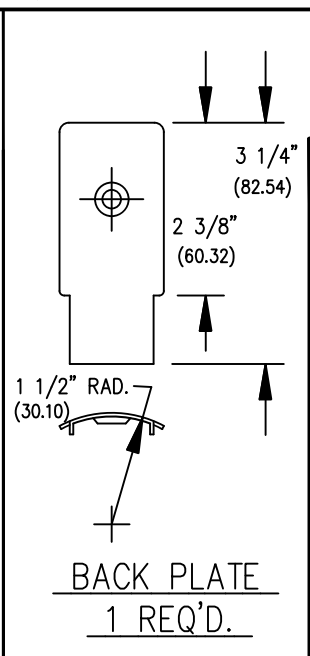
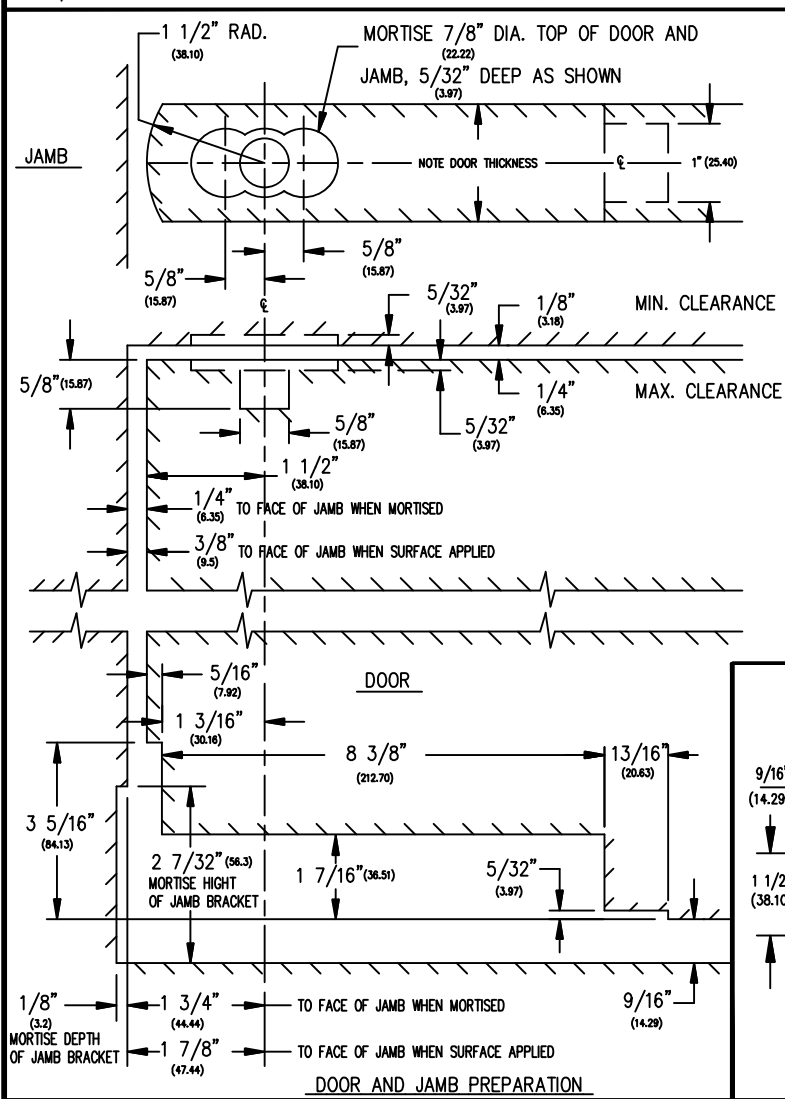
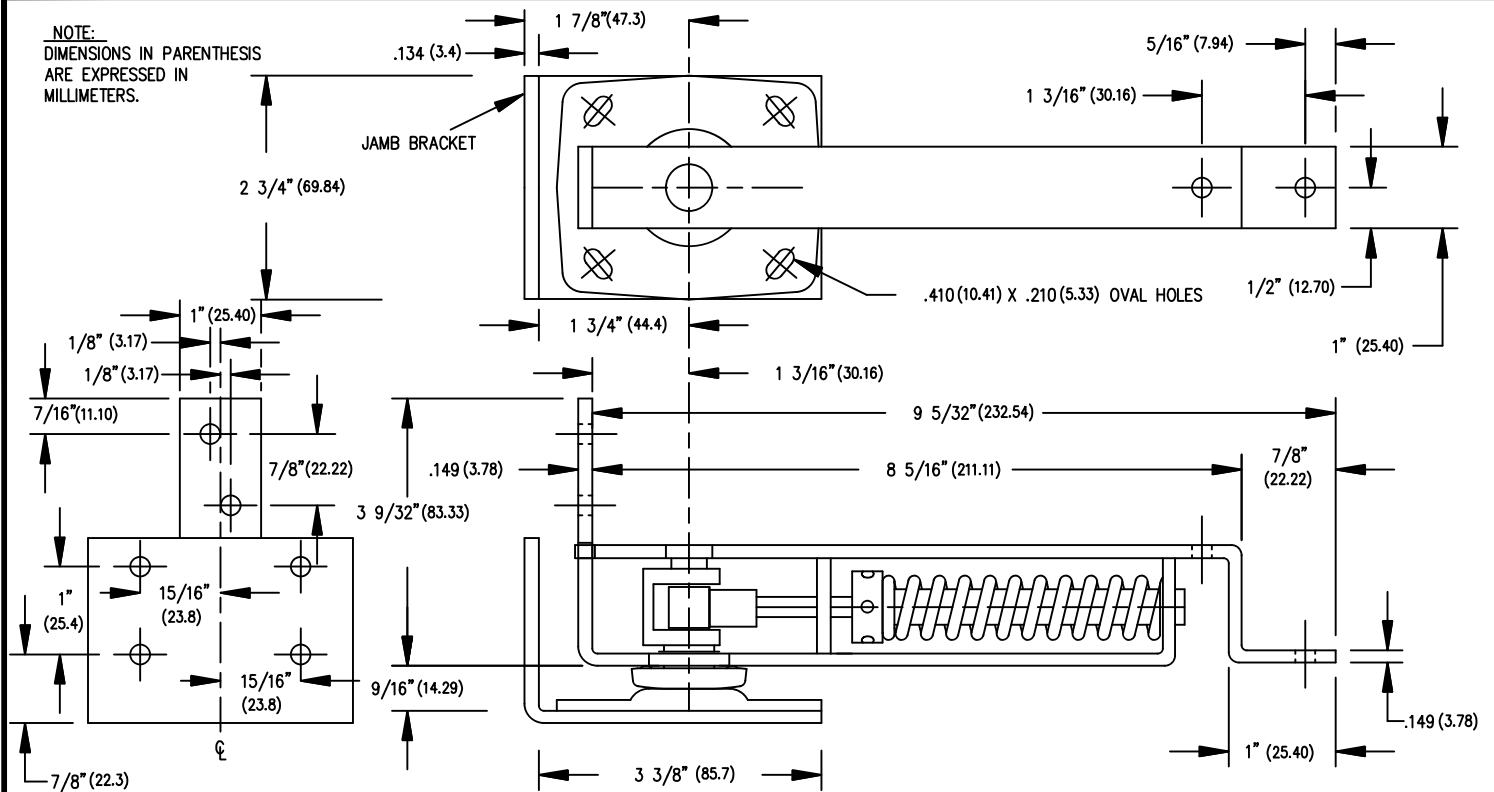


NOTE:
DIMENSIONS IN PARENTHESIS
ARE EXPRESSED IN
MILLIMETERS.



| ITEM | SCREWS | | NOTE | | BOMMER IND. INC. LANDRUM, S.C. | | | | | |
|--------------|-----------------------------------|--|------------------------------------|--|--|--|--------|-----------|----------------|------|
| FRAME | (4) #10 X 1 1/4" | PAN HEAD WOOD SCREW | DOOR THICKNESS 1 3/8" TO 1 3/4" | | TYPE : HORIZONTAL SPRING PIVOT DOUBLE ACTING | | | | | |
| JAMB BRACKET | (4) #10 X 1" (4) #10-24 X 1/4" | FLAT HEAD WOOD SCREW PAN HEAD MACHINE SCREW | | | PART NO.: 7812 AND 7822 REVISED DATE: 09 OCT 2014 | | | | | |
| SIDE PLATE | (4) #6 X 3/4" | FLAT HEAD WOOD SCREW | | | Drawn by : JACKSON | | DATE | SCALE | DRAWING NUMBER | REV. |
| BACK PLATE | (1) #10-24 X 1/2" | FLAT HEAD MACHINE SCREW | | | 2 JUN 99 | | N.T.S. | 7812-TEMP | C | |
| TOP PIVOT | (4) #10 X 1" | FLAT HEAD WOOD SCREW | | | | | | | | |