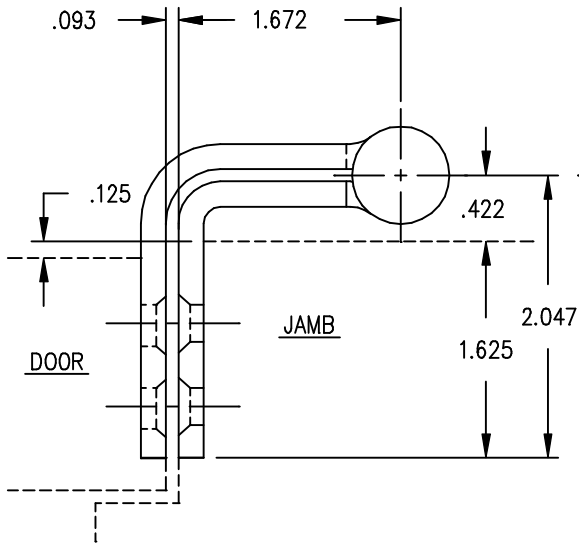
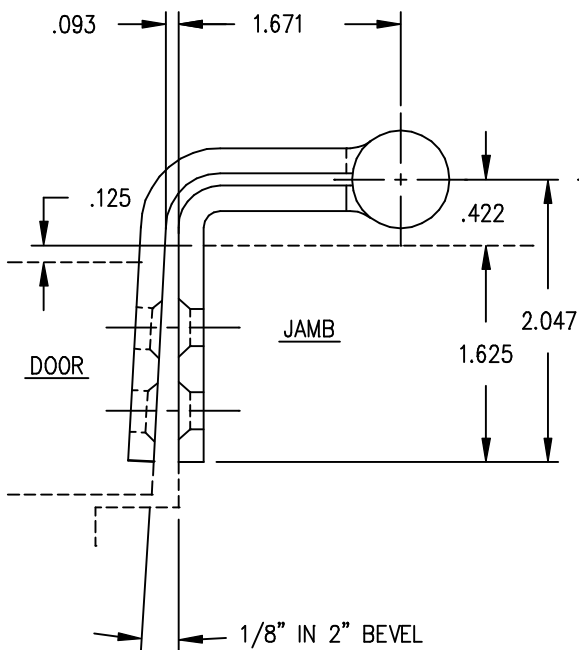
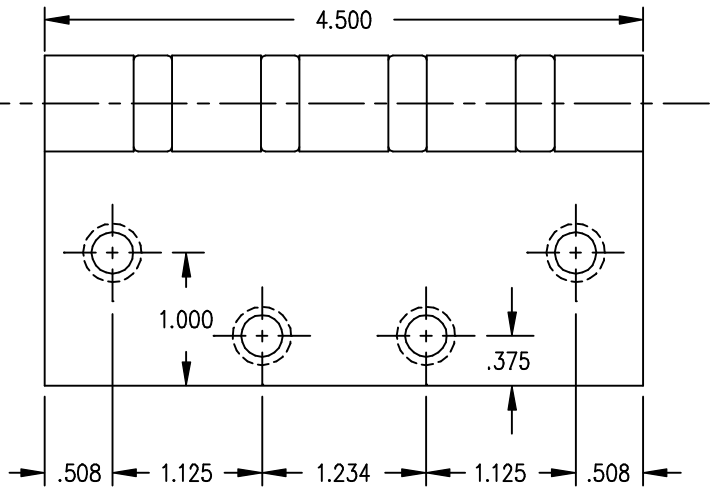


TEMPLATE HINGES
 FULL MORTISE – SWING CLEAR
 SIZE 4.5 INCHES
 (045)
 DRAWING NOT TO SCALE

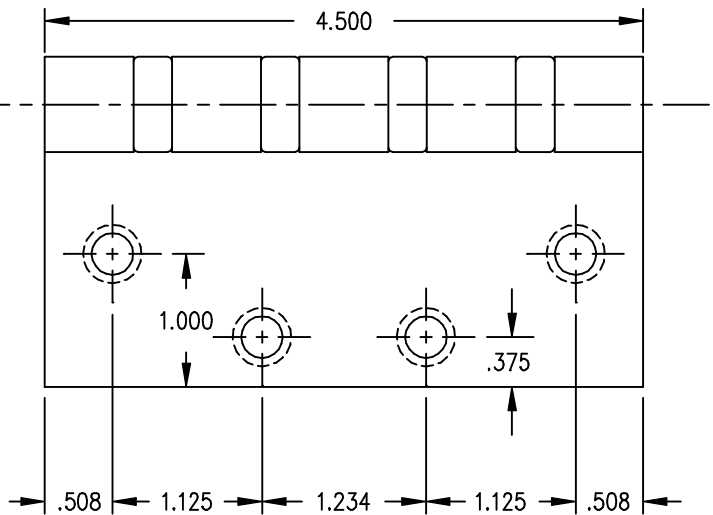
Bommer Industries Inc.
 19810 Highway 176
 P.O. Box 187
 Landrum SC 29356



SQUARE DOOR EDGE



BEVELED DOOR EDGE



MACHINE SCREW SIZE – 12-24 F.H.
 WOOD SCREW SIZE – 1 1/4 NO.12 F.H.

CATALOG NUMBER			GUAGE OF METAL
STEEL HINGES	BRASS OR BRONZE HINGES	STAINLESS STEEL HINGES	
BB5024	BB5025	BB5026	.180
LB8024	LB8025	LB8026	.180