

# TEMPLATE HINGES

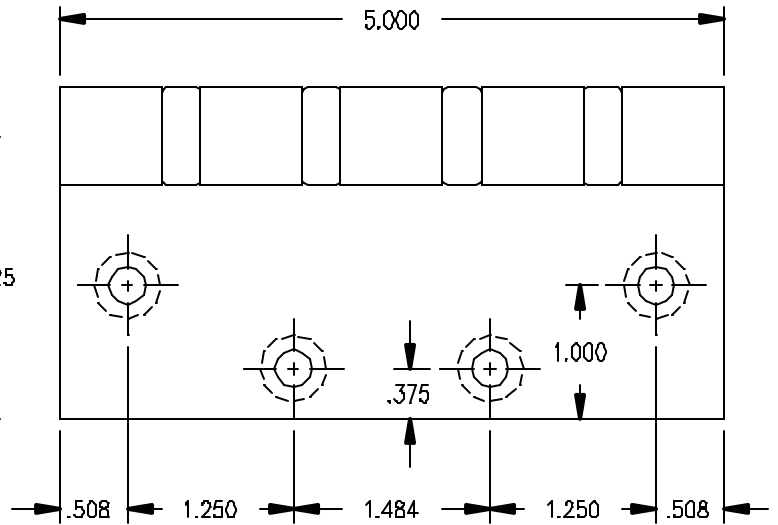
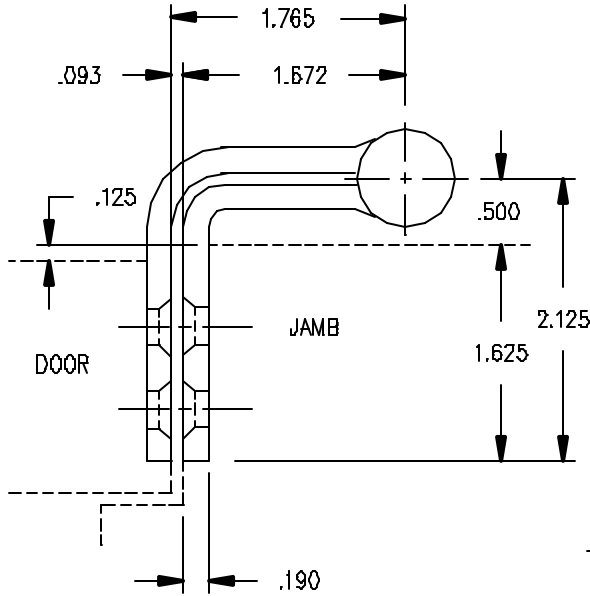
FULL MORTISE - HEAVY WEIGHT - SWING CLEAR

SIZE 5 INCHES

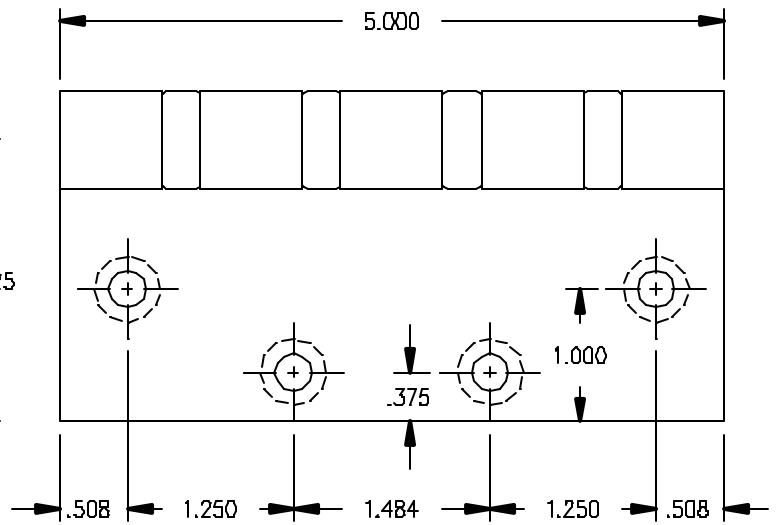
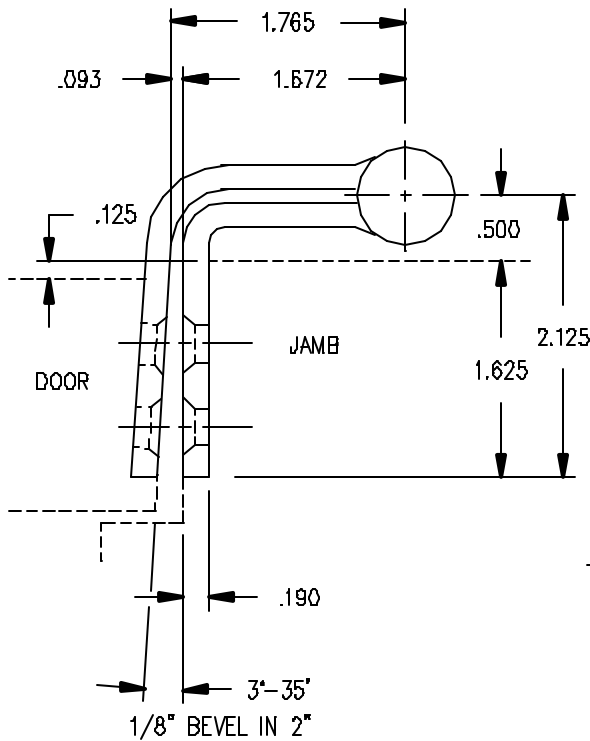
DRAWING NOT TO SCALE

Bommer Industries Inc.  
19810 Highway 176  
P.O. Box 187  
Landrum SC 29356

## SQUARE DOOR EDGE



## BEVELED DOOR EDGE



MACHINE SCREW SIZE - 1/2 X 12-24 F.H.  
WOOD SCREW SIZE - 1 1/2 X NO.12 F.H.

CATALOG NUMBER			GAUGE OF METAL
STEEL HINGES	BRASS OR BRONZE HINGES	STAINLESS STEEL HINGES	
BB5024	BB5025	BB5026	.190
LB8024	LB8025	LB8026	.190