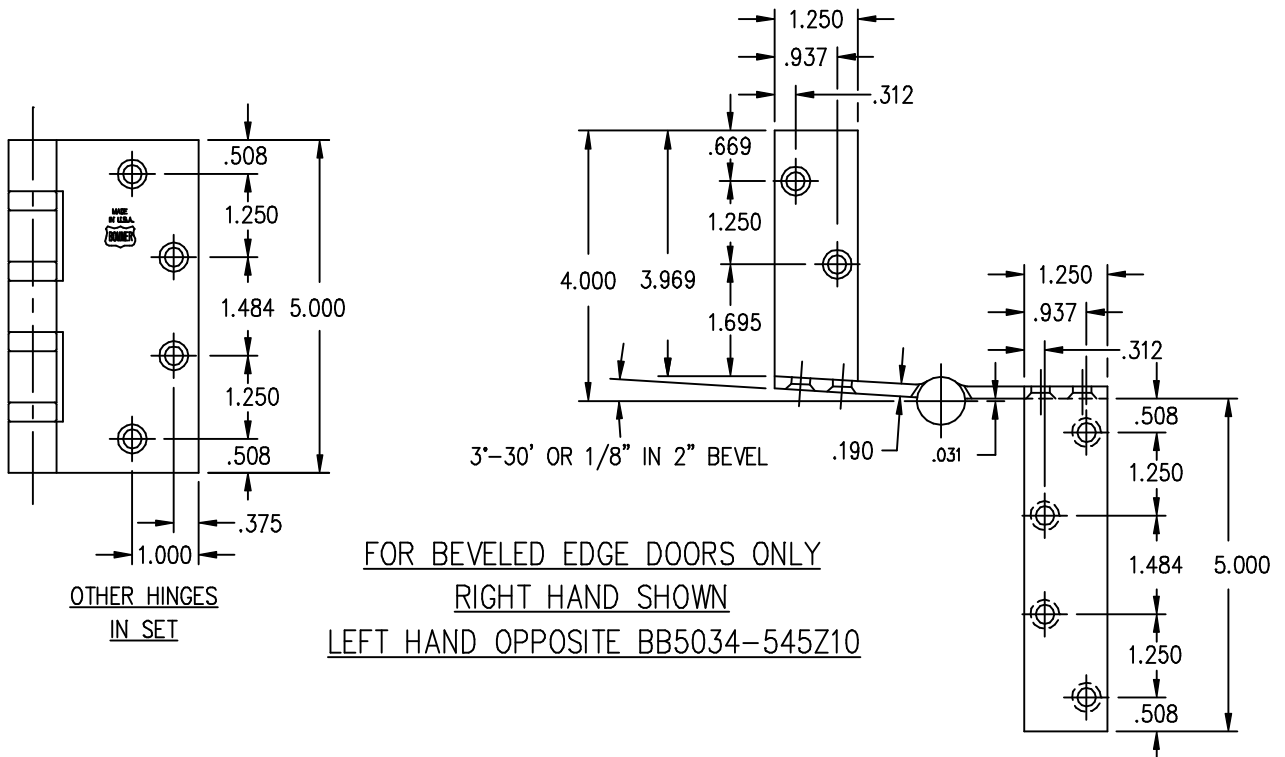


Bommer Industries Inc.
 19810 Asheville Highway
 P.O. Box 187
 Landrum SC 29356

TEMPLATE HINGES

FULL MORTISE – HEAVY WEIGHT – ANCHOR
 SIZE 5 x 4.5 INCHES
 (545)

DRAWING NOT TO SCALE

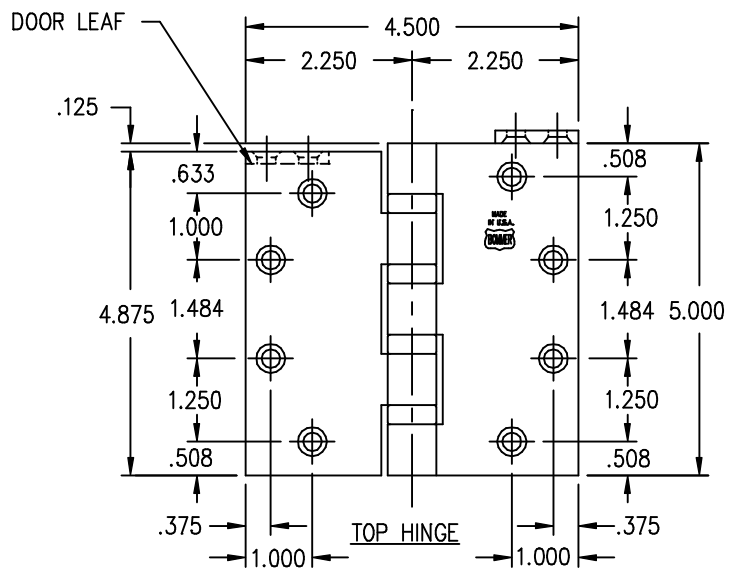


FOR BEVELED EDGE DOORS ONLY
RIGHT HAND SHOWN
LEFT HAND OPPOSITE BB5034-545Z10

OTHER HINGES
IN SET

CATALOG NUMBER		
STEEL HINGES	BRASS OR BRONZE HINGES	STAINLESS STEEL HINGES
BB5034	BB5035	BB5036
LB8034	LB8035	LB8036

MACHINE SCREW SIZE – 1/2 X 12-24 F.H.
 WOOD SCREW SIZE – 1 1/4 X NO.12 F.H.



TEMPLATE NO. BB5034-545Z08-T