

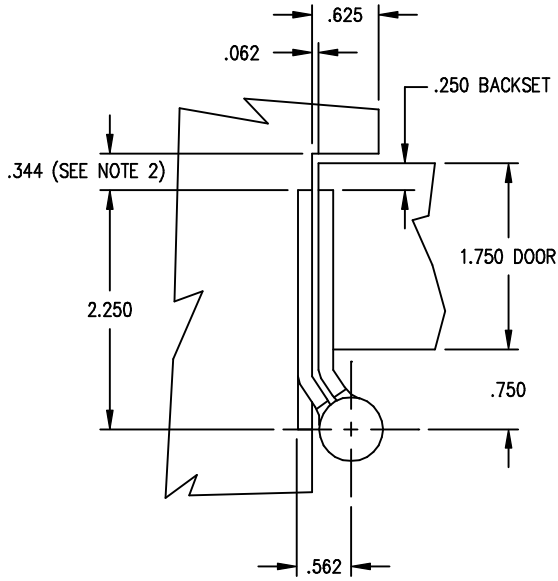
Bommer Industries Inc.
 19810 Highway 176
 P.O. Box 187
 Landrum SC 29356

TEMPLATE HINGES

FULL MORTISE – STANDARD WEIGHT – RAISED BARREL (SQUARE DOOR EDGE)

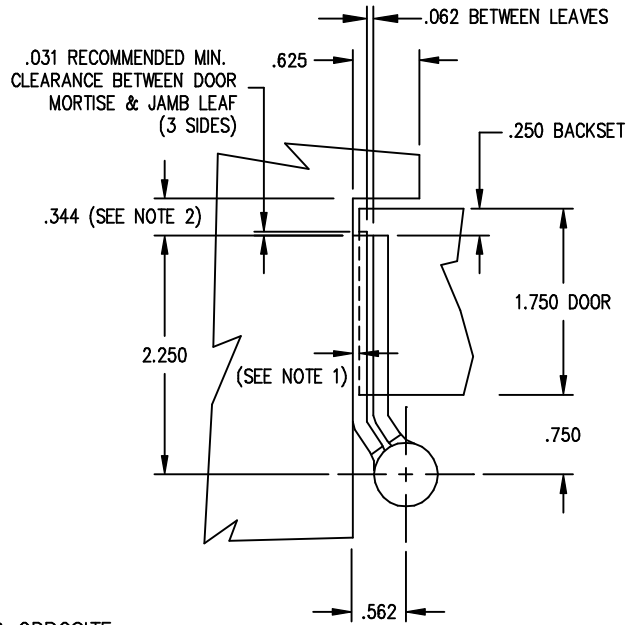
SIZE 5 x 4.5 INCHES
 (545)

DRAWING NOT TO SCALE



MORTISE APPLICATION

LEFT HAND OPPOSITE



SURFACE APPLICATION

NOTES:

1. SIDE CLEARANCE BETWEEN DOOR AND FRAME DETERMINED BY DEPTH OF MORTISE. .062 MINIMUM RECOMMENDED.
2. RECOMMENDED FOR APPROX. .062 SWINGING CLEARANCE BETWEEN DOOR AND STOP.

CATALOG NUMBER			
STEEL HINGES	BRASS OR BRONZE HINGES	STAINLESS STEEL HINGES	GAUGE OF METAL
BB5040	BB5041	BB5042	.146
LB8040	LB8041	LB8042	.146

MACHINE SCREW SIZE – 1/2 X 12-24 F.H.
 WOOD SCREW SIZE – 1 1/4 X NO.12 F.H.

TEMPLATE NO. BB5040-545-T

