

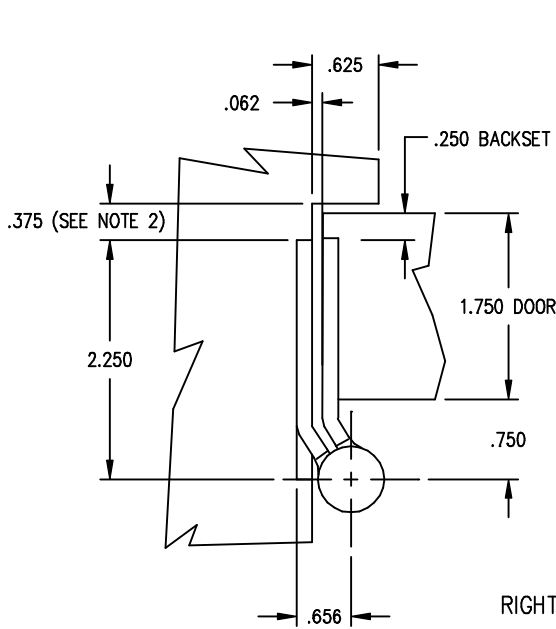
Bommer Industries Inc.
 19810 Highway 176
 P.O. Box 187
 Landrum SC 29356

TEMPLATE HINGES

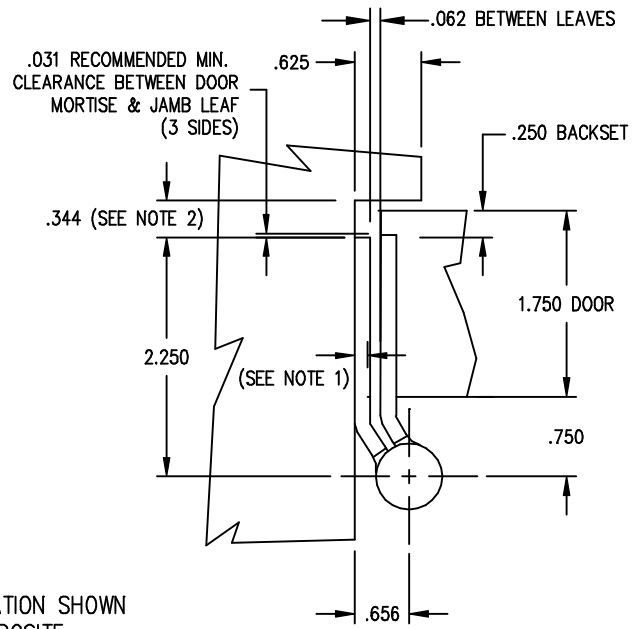
FULL MORTISE – HEAVY WEIGHT – RAISED BARREL (SQUARE DOOR EDGE)

SIZE 5 x 4.5 INCHES
 (545)

DRAWING NOT TO SCALE



MORTISE APPLICATION



SURFACE APPLICATION

NOTES:

1. SIDE CLEARANCE BETWEEN DOOR AND FRAME DETERMINED BY DEPTH OF MORTISE. .062 MINIMUM RECOMMENDED.
2. RECOMMENDED FOR APPROX. .062 SWINGING CLEARANCE BETWEEN DOOR AND STOP.

CATALOG NUMBER			
STEEL HINGES	BRASS OR BRONZE HINGES	STAINLESS STEEL HINGES	GAUGE OF METAL
BB5044	BB5045	BB5046	.190
LB8044	LB8045	LB8046	.190

MACHINE SCREW SIZE – 1/2 X 12-24 F.H.
 WOOD SCREW SIZE – 1 1/2 X NO.12 F.H.

TEMPLATE NO. BB5044-545-T

