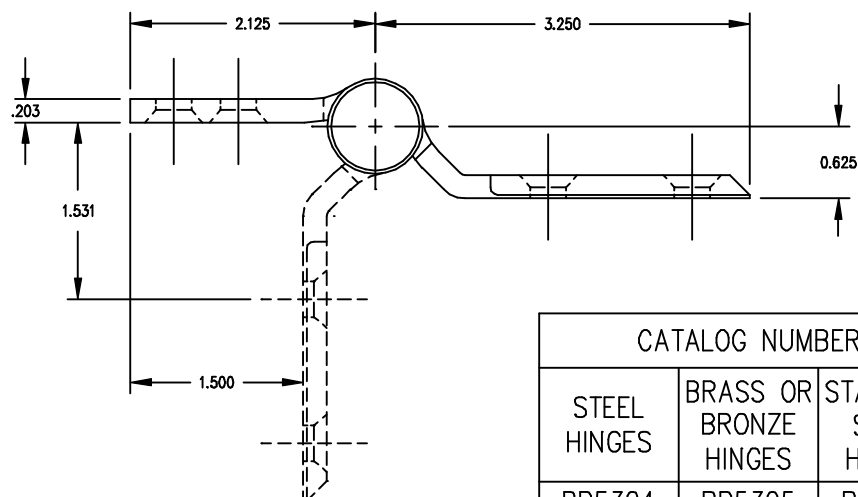
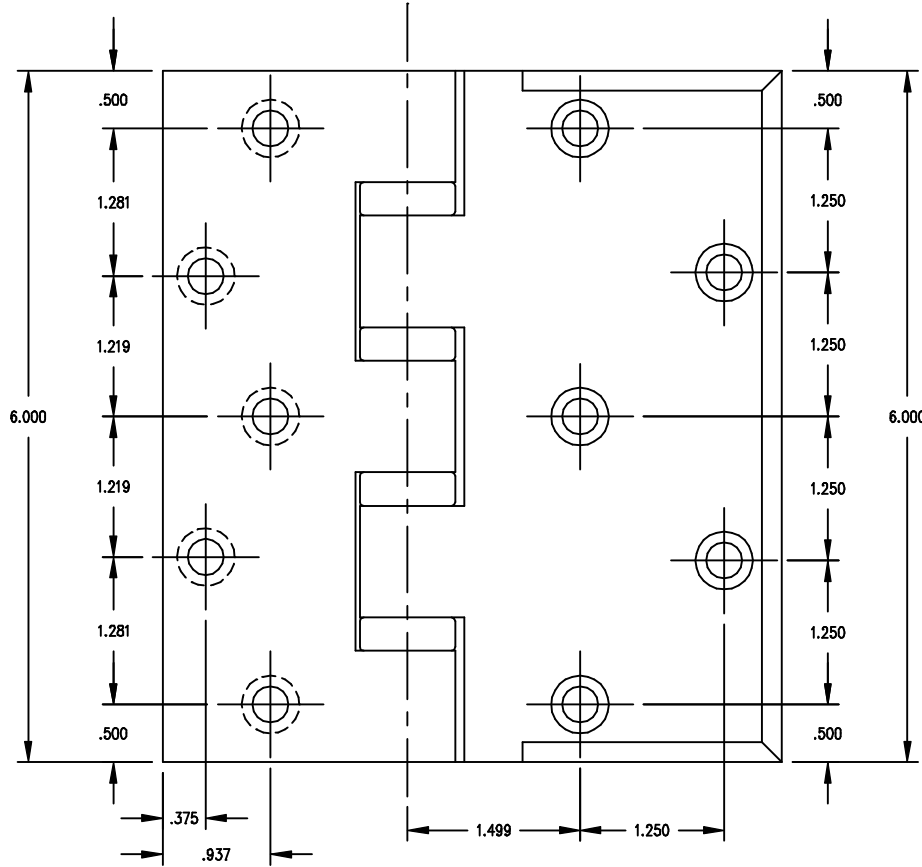


TEMPLATE HINGES

HALF SURFACE
 SIZE 6 INCHES
 (060)

DRAWING NOT TO SCALE

Bommer Industries Inc.
 19810 Highway 176
 P.O. Box 187
 Landrum SC 29356



MACHINE SCREW SIZE:
 DOOR LEAF - 2 X 1/4-20 O.H. WITH GROMMET NUTS.
 JAMB LEAF - 1/2 X 1/4-20 F.H.

CATALOG NUMBER		
STEEL HINGES	BRASS OR BRONZE HINGES	STAINLESS STEEL HINGES
BB5304	BB5305	BB5306
LB8304	LB8305	LB8306

TEMPLATE NO. BB5304-060-T
 REV./31 MAY 95